



Constitution

EPA Phase II Compliant Woodburning Fireplace

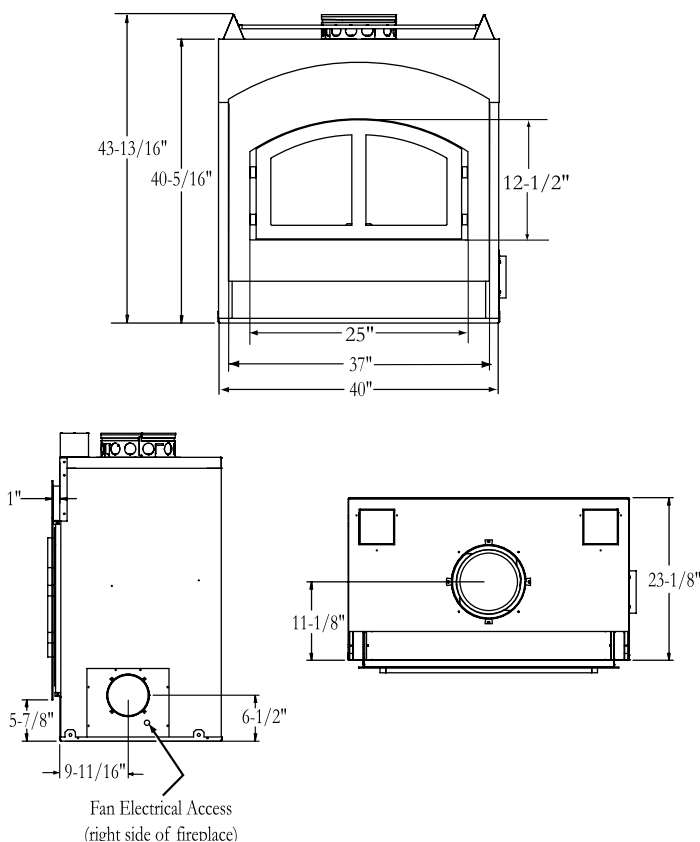
heatilator
The first name in fireplaces

Constitution

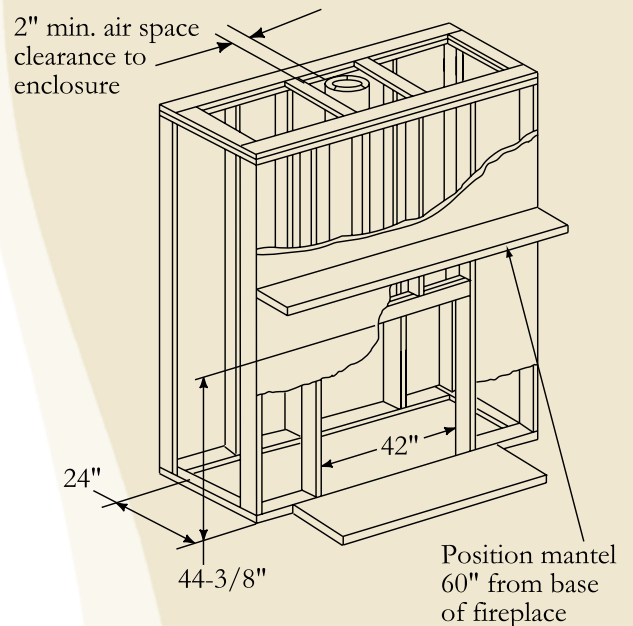
Beauty, Efficiency and So Much More!

- The Constitution is the answer for anyone desiring a beautiful and efficient wood fire that is environmentally friendly
- Huge roaring fire with mesmerizing bright, rolling flames will be the room's focal point
- Large 2.7 cubic foot firebox with true brick lining can easily handle 24" logs
- EPA Phase II Compliant means it can be operated in locales with strict air quality regulations or "burn bans"
- High-tech "clean" burn with emission levels of just 3.25 grams per hour of particulate
- Non-catalytic burn requires less maintenance — cleaner glass, no catalyst to burn out
- Incredible heat output of 51,200 Btu's on high setting and up to 11,300 Btu's for up to 10 hours on low setting
- Two 160 CFM fans and a rheostat are included for maximum air flow
- A hearth extension is required
- SL300 Series venting
- Tested and listed to UL safety standards
- Heatilator Warranty

Product Dimensions



Framing Dimensions



AVAILABLE FROM

heatilator
The first name in fireplaces

a brand of Hearth & Home Technologies Inc.

1915 West Saunders Street • Mt. Pleasant, Iowa 52641

800-927-6841 • heatilator.com

The information provided in this literature is for planning purposes only and subject to change. Please consult the installation manual for actual installation. Actual product appearance may differ from product images. The flame and ember appearance may vary based on the type of fuel burned and venting configuration used. For full warranty details, go to heatilator.com. Please consult the MSRP book for a complete list of optional accessories.

HTL-1025U-1008